

- ▶ Supply pumps for central filtration systems
- ▶ Filter technology
- ▶ Surface technology
- ▶ Process engineering
- ▶ Environmental technology

**schmalenberger**  
strömungstechnologie



#### Short description

- ▶ Low pressure immersible pumps for immersion depths up to 2,800 mm V-series

# Low pressure immersible pumps with intermediate bearing: Powerful, reliable and extremely robust!

Individually configurable – according to your requirements.

## Features

- ▶ Robust design
- ▶ Individually configurable
- ▶ Maintenance-friendly construction
- ▶ High reliability
- ▶ Various immersion depths up to 2,800 mm available
- ▶ Characteristic field extendable with the use of a variable speed drive
- ▶ Also available with 4-pole motor

## Technical data

- ▶ Immersible pumps with bearing carriers for standard motors
- ▶ Oil-based lubricated ball bearing as intermediate bearing
- ▶ Type NV, ZV, ZHV: For clean or slightly polluted media
- ▶ Type FV, SV: For coarse and heavily polluted media with up to 6 percent by weight
- ▶ Flow rate 50 – 7,500 l/min
- ▶ Delivery head up to 210 m
- ▶ Material options: cast iron / stainless steel (316L)
- ▶ Various sealing options
- ▶ Motors: up to 3 kW 230/400 V 50 Hz, from 4 kW 400/690 V 50 Hz, 460 V 60 Hz, other voltages on request

## Illustration

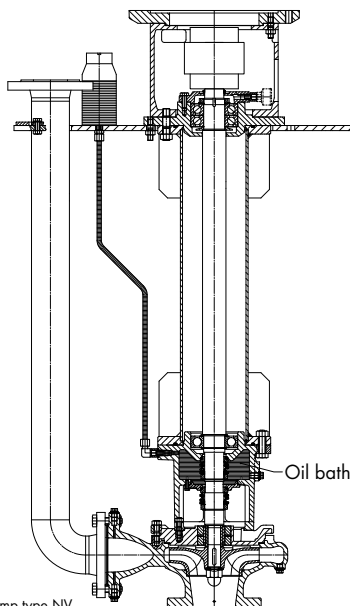


Fig.: Confining chamber system pump type NV

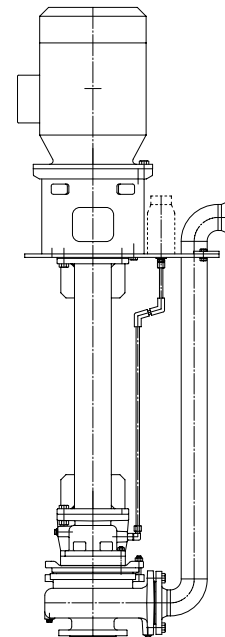


Fig.: Pump type FV

Low pressure immersion pumps with intermediate bearing and bearing carriers for standard motors are characterized by a maintenance-friendly construction. Various immersion depths up to 2,800 mm are available. Therefore the V-series (FV, NV, SV, ZV,

ZHV) can be used in a wide variety of tank installation applications. Several sizes are available to make your design as efficient as possible. Chemically neutral as well as aggressive and abrasive media, e.g. alkaline solutions, solvents and lubricants can be

pumped easily. With over 65 years of experience in industrial pump technology, we are a supplier that guarantees reliable quality products. Give us a call, it will be our pleasure to assist you.